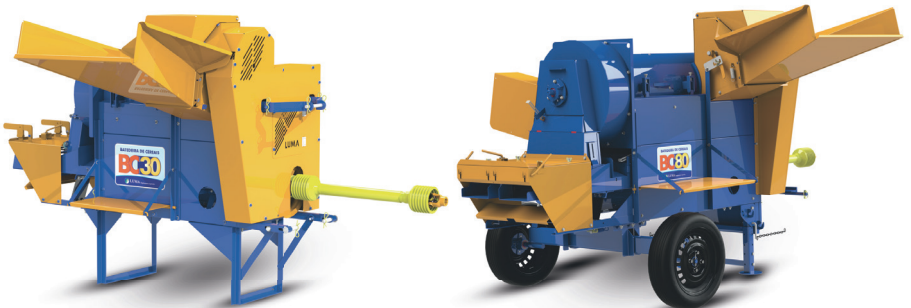


Cereal Threshers

BC-30 and BC-80

INSTRUCTION MANUAL



Revision 2



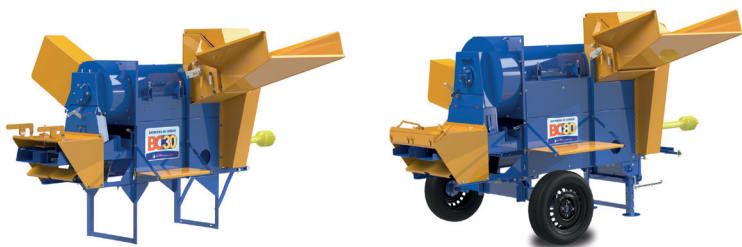
LUMA
Implementos Agrícolas

www.lumaimplementos.com.br

Dear Customer,

Thank you for your preference and congratulations on choosing the **LUMA Cereal Thresher**, a product manufactured with advanced technology, built from high-quality raw materials, and tested under rigorous working conditions.

This manual will guide you through the operational procedures for use, safety, and maintenance. Keep it always within reach of your operators and supervisors.



Please write down the serial number engraved on the identification plate attached to the machine's chassis below. It will be useful for requesting parts or assistance.



LUMA
Implementos Agrícolas

LUMA IMPLEMENTOS AGRÍCOLAS

Rua 15 de Novembro, 791 - Itapira - SP
CEP: 13974-520 - Fone: (19) 3863 3395
e-mail: vendas6@lumaimplementos.com.br

Modelo/Model

Número de Série
Número de Serie
Serial Number

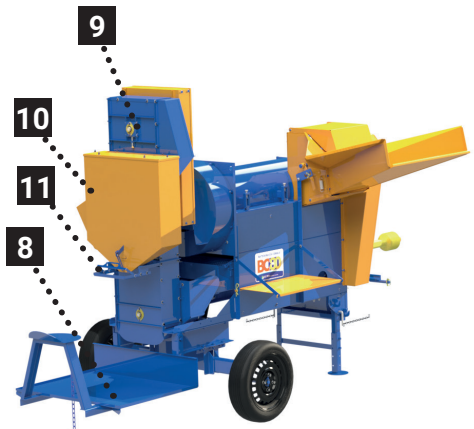
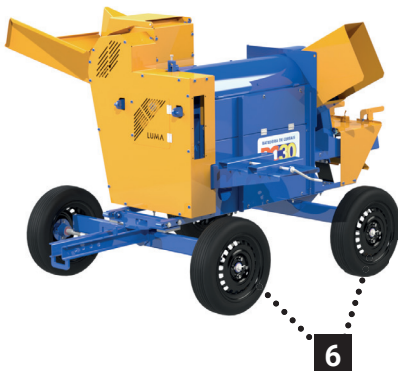
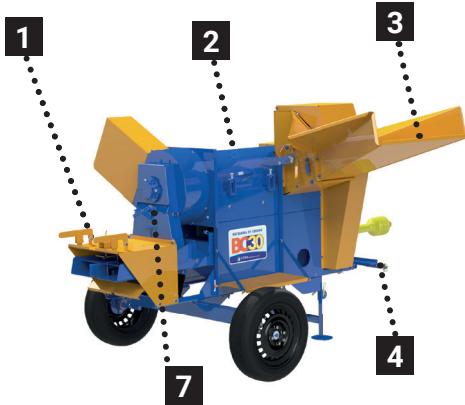
TABLE OF CONTENTS

Getting to Know the **LUMA Cereal Thresher**5
Safety 6 to 11
Introduction11
Usage..... 11 and 12
Loading and Transport12
Environmental Care.....13
Assembly13
Included with your the **LUMA Cereal Thresher**13
Safety Stickers 14 and 15
Coupling to the Tractor16
Cutting the Cardan Shaft17
Cardan Shaft Connection18
Disconnection from the Tractor18
Transporting the Thresher Attached to the Tractor19
Leveling.....20
Automatic Feeder Adjustments20
Instructions for Threshing Grains BC-3021
Instructions for Threshing Grains BC-8022
Operation23
Feeder Cover Adjustment.....24
Product Cleaning (Suction)24
Debris Suction Adjustment – BC-30 and BC-80.....24
Debris Suction Adjustment – BC-3024
Debris Suction Adjustment – BC-8024
Feeder and Rotor.....25
Bagging.....25
Reservoir.....25
Technical Specifications26
Common Issues During Operation.....27
Maintenance.....28
Belt Tensioning.....29
Cleaning and Maintenance.....30
LUMA Cereal Thresher BC-30 and BC-80 31 and 32
Warranty Certificate34

All images used in this manual are for illustrative purposes only. To better understand the instructions, some images may show the machine without certain parts or safety guards. Never use the machine without the safety guards or missing any components.

GETTING TO KNOW THE LUMA CEREAL THRESHERS BC-30 AND BC-80

- 1 Bagging Unit
- 2 Rotor
- 3 Feeding Spout
- 4 Tractor Hitch
- 5 Straw Outlet
- 6 Wheel
- 7 Suction Adjusters
- 8 Platform
- 9 Elevator
- 10 Reservoir
- 11 Bag Holder



SAFETY



CAUTION

*Under no circumstances is it allowed to modify the original configuration of the **LUMA Cereal Thresher** without the express authorization of the manufacturer. Unauthorized modifications and/or accessories may result in serious injuries or life-threatening hazards to the operator and others involved in the operation.*



- Before starting the machine, inspect the surrounding area and carefully check for any people or animals nearby. Pay special attention to children.
- Keep people and animals at least 10 meters away from the operating area of the thresher.
- Never use the equipment without the safety guard.

Get to know your equipment, its risks, and its limitations. This chapter contains general safety recommendations. Each chapter of the Instruction Manual also contains specific safety recommendations. Safety recommendations should be observed:

- For your own safety;
- For the safety of others;
- And for the safety of the machine.

In agricultural work, improper handling can create a range of hazards. For this reason, all work should be carried out with great care and attention. Incorrect use of this equipment can result in serious or fatal accidents. Before starting the equipment, read the instructions in this manual carefully. Ensure that the person responsible for operating the equipment is trained in its correct and safe use.

Keep a first aid kit in an easily accessible location. Know how to use it.



This manual and the stickers affixed to the machine contain warnings with safety alert symbols and specific instructions designed to protect the operator and others. Read all instructions and stay alert during operation. If you have any doubts, contact your **LUMA** dealer or reach out to the factory.

Safety Warnings

DANGER: The word **DANGER** indicates an imminent risk situation that, if not avoided, will result in serious injury or death.

CAUTION: The word **CAUTION** indicates a potentially hazardous situation that, if not avoided, may result in serious injury or death.

This manual should remain in an easily accessible location and within reach of the machine operators.

SAFETY

When operated correctly, the machine is very simple to use. However, it is essential that all operators are familiar with its operation and the risks of incorrect use. By following the safety instructions described in this manual, you will avoid risk situations for the operator, others, and surrounding property.

Unauthorized personnel or those who have not received training should not operate this equipment. Read the Instruction Manual before starting the equipment. Stay alert and adhere to all usage and safety recommendations during operation. **PASS THE INFORMATION TO ALL USERS.**

All equipment should be used solely for its intended purposes according to the specifications in the manual. Using the equipment for applications not mentioned in this manual is considered improper use and is not authorized by the manufacturer. The **LUMA Cereal Thresher** is agricultural equipment not suitable for urban areas.

Any unauthorized modification made to the machine or its components will release the manufacturer from liability for any damages or injuries resulting from such modifications.

It is prohibited to perform maintenance, lubrication, repair, adjustment, or cleaning with the machine running. Before performing any service, turn off the tractor, remove the ignition key, and disconnect the cardan shaft from the tractor's power take-off.

Keep unnecessary personnel away from the machine during operation to avoid dangerous situations. There is a risk of serious personal injury when untrained individuals approach the operating machine. Pay special attention to children. Never allow children to play on or near the machine.

Before using the equipment, inspect the surrounding area. This helps avoid exposing people or animals to risks near the machine. Lack of attention can result in serious injuries to people or animals.

SAFETY

Do not wear loose or baggy clothing, as it may get caught in the moving parts of the equipment. Never operate the equipment without the original safety guards in place. Never transport the equipment with the power take-off engaged. Never start the machine with people around. Before using the machine, inspect the surrounding area. Carefully check for any people or animals nearby. Pay special attention to children.

Contact with the gears when the machine is running can cause severe accidents and personal injury. Never place your hands, feet, or any other part of your body near the operating equipment. Maintain a safe distance from the running machine.

Ensure that the machine is properly hitched to the tractor and that the hitch pin is securely locked before use. Periodically check the mounting bolts. Use only original mounting bolts.

Never allow untrained individuals

to perform maintenance on the equipment. Never attempt to make adjustments or perform maintenance while the equipment is running. In case of operational issues, the machine must be immediately turned off. Operational problems can pose a danger to people or animals nearby. Only restart the machine after the problem has been resolved.

Ensure proper hitching to the tractor, making sure that the hitch pins are correctly positioned and secured with cotter pins. Transporting people on the machine is prohibited due to the fatal risk it presents. Transporting people on the machine can result in serious injuries and death.

Maintain the correct operating speed for the machine. It is dangerous to connect a tractor with a 1000 rpm power take-off to a machine designed to operate at 540 rpm. The machine is not built for this speed. The results may include damage to the machine and danger to people nearby.

SAFETY

When detaching the machine from the tractor, choose a flat location to facilitate the procedure and subsequent re-hitching. Always adjust the tractor's travel speed to local conditions. Avoid sudden maneuvers, especially on uneven terrain.

Never operate the machine for extended periods in enclosed and unventilated spaces. The carbon monoxide emitted by the tractor's exhaust gases is highly toxic.

The tractor should always be maneuverable. Mount sufficient counterweights to ensure that the front tires maintain adequate contact with the ground.

Exercise extra caution when operating the machine on inclines. If you notice any imbalance, reduce acceleration. On descents, keep the tractor engaged at all times. The use of PPE (Personal Protective Equipment) is mandatory during operation and maintenance of the machine.

Moving components, due to inertia, continue moving for some time after the machine is turned

off. Before touching any part of the machine, turn off the power source and check for any signs of movement by looking and listening.

In case of injuries involving high-pressure hydraulic fluid, seek medical assistance immediately. Serious infection or toxic reaction can develop from hydraulic fluid that penetrates the skin.

Use proper hand and eye protection when handling high-pressure hydraulic leaks. Use a piece of wood or cardboard instead of your hands to isolate and identify a hydraulic fluid leak.

If there are tools, objects, or foreign bodies inside or on the machine, remove them immediately. Check that nuts and bolts, belt tensioners, belts, pulleys, and other components are properly tightened and adjusted.

Also, ensure that lubrication at all specific points on the equipment has been properly carried out. Exercise caution with your hands and feet, keeping them away from any moving parts of the machine, such as pulleys and belts.

SAFETY



CAUTION

Never operate the equipment without the original safety guards. Individuals who will not be operating the equipment should keep a safe distance of approximately three meters. The same applies to animals, where the ideal distance should be 10 meters. Proper use of your LUMA Cereal Thresher is crucial in preventing accidents.

INTRODUCTION

The **LUMA Cereal Thresher** is designed for threshing, winnowing, and bagging cereals such as dry corn with husks and cobs, beans, soybeans, rice, and similar grains. All models are equipped with a dual bagging system for increased efficiency and ease of operation; an air suction system with a high-capacity fan for cleaning the cereal and complete removal of the husks; and an automatic feeder with a roller equipped with retractable pins that ensures uniform and consistent feeding.

USAGE

The **LUMA Cereal Thresher** is designed to be attached to the tractor's hydraulic system and powered by the 540 rpm power take-off. Some models can be powered by electric motors or combustion engines (diesel or gasoline). The equipment does not require any type of infrastructure, such as a concrete base or anchor bolts, as it is mounted on its own steel base with the motor.



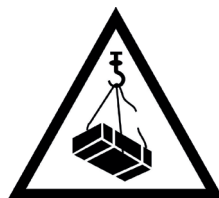
CAUTION

Other applications are not compatible with the purpose for which the machine was designed. The manufacturer is not responsible for damages caused by improper use of the equipment. In such cases, the risks must be assumed solely by the user of the machine. If in doubt, please contact the manufacturer.



CAUTION

The movement of the suspended machine can hit people and cause a serious accident.



Never stand under a load being lifted by a winch. Breakage of lifting ropes and straps can cause serious accidents. Transporting the LUMA Cereal Thresher over long distances should be done on a truck, trailer, etc.

LOADING AND TRANSPORT

When loading or unloading the equipment with a winch, always use the appropriate lifting points. Be mindful of electrical wires during loading and unloading.

Remember that the machine, when lifted, is subject to intentional or unintentional lateral movements. Exercise caution when lifting it and do not allow people to be in the area close to the equipment.

Use cables, ties, ropes, etc., in sufficient quantity to secure and keep the load stable on the truck or trailer. Be mindful of the total height of the load, especially under power lines, overpasses, etc. Periodically check the load conditions (loose cables, etc.) during transit. Always comply with current traffic regulations.

ENVIRONMENT CARE

Spilling oil, fuels, filters, batteries, greases, detergents, and other substances on the ground directly impacts the environment, potentially contaminating underground layers. Find out the correct way to dispose of these pollutants with those who can recycle or reuse them. Follow current laws regarding the disposal of such products.

ASSEMBLY

The **LUMA Cereal Thresher** is delivered fully assembled. Only the cardan shaft, feed chute, discharge chute, and wheels are disassembled to facilitate transport.

INCLUDED WITH YOUR LUMA CEREAL THRESHER



BC-30

1. Instruction Manual (1 unit)
2. Cardan Shaft (1 unit)*
3. Feed Chute (1 unit)
4. Discharge Chute (1 unit)
5. Wheels (1 set)*
6. Mobile Arch (3 units)
7. Mobile Pin Set (1 unit)

**As per version configuration*



BC-80

1. Instruction Manual (1 unit)
2. Cardan Shaft (1 unit)*
3. Feed Chute (1 unit)
4. Discharge Chute (1 unit)
5. Wheels (1 set)*
6. Mobile Pin Set (1 unit)
7. Smaller Arch (1 unit)
8. Larger Arch (1 unit)

**As per version configuration*

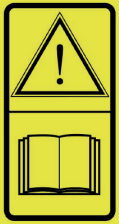
SAFETY STICKERS

The equipment includes stickers used to ensure the safety of operators and other individuals involved in its operation. They should not be removed. If necessary, new stickers can be requested and affixed to the appropriate locations.

MEANING OF THE SAFETY STICKERS



*Turn off the tractor before performing maintenance on the machine. **Warning!** The tractor must always be turned off and the key removed from the ignition before performing repairs, cleaning, lubrication, or maintenance work on the machine.*



*Read and follow the recommendations in the Instruction Manual. **Warning!** Read and thoroughly understand the content of the Instruction Manual before using the machine.*



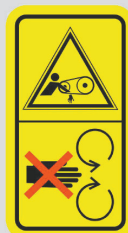
When operating the machine, use PPE (Personal Protective Equipment).

SAFETY STICKERS

MEANING OF THE SAFETY STICKERS



Keep a safe distance from the machine. No one should be near the machine when it is operating.



Do not use the machine without the belt guard. Contact with the moving belt can cause serious injuries.



Never place hands or feet under the machine while it is running. Contact with the rotor blades spinning at high speed can cause very serious injuries.

COUPLING TO THE TRACTOR

The **LUMA Cereal Thresher** is powered by the tractor's power take-off or an electric motor, depending on the model or optional configuration. The implement is designed to work with tractors with a minimum power of 35 hp, as specified in the Technical Specifications section of this Instruction Manual.

For coupling to the tractor, it is important to choose a flat area. **Warning!** Lack of attention during coupling can result in serious injuries and accidents.

Before coupling the implement, ensure that the support legs are in the resting position. Separate the parts that come with the machine and, with the help of an assistant, attach the feed chute, discharge chute, and wheels using bolts and nuts.

Open the screen compartment and check for any obstructions that may interfere with operation. After securing the feed chute, fix the mixer to the tractor arms and level it by adjusting with the tractor's leveling arm. When coupling the machine to the tractor, it is important to:

- Ensure that the tractor cannot move;
- Do not stay between the tractor and the machine during coupling;
- Operate the coupling system slowly and carefully;
- Position the tractor so that the power take-off is as close as possible to the machine's cardan shaft;
- Attach the tractor's hydraulic arms to the machine's stabilizer bar, secu-

ring them with the respective locking pins;

- Connect the cardan shaft to the tractor's power take-off.



WARNING

After coupling, check if the cardan safety pin has been properly engaged and locked.



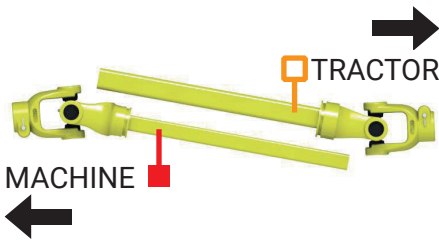
CAUTION

Do not stay between the tractor and the machine during coupling or uncoupling.

CUTTING THE CARDAN SHAFT

The length of the cardan shaft is designed to fit all types of tractors. However, in some cases, it may be necessary to adjust the length. Check the length of the cardan shaft during the first use and when switching tractors, following these steps:

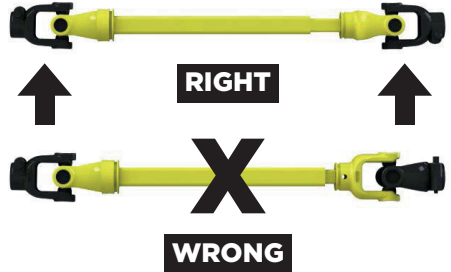
- Attach the machine to the tractor without the power take-off;
- Stop the tractor, remove the ignition key, and engage the parking brake;
- Separate the two parts of the cardan shaft;



- Mount the female part onto the tractor's power take-off;
- Mount the other part (male) onto the machine's shaft;
- Place the two parts of the cardan shaft next to each other and check if there is at least 40 mm of play in the shaft;

- Remove the cardan shaft parts from the machine and the tractor;
- Cut equal lengths from the cardan shaft and the protection (plastic). File the burrs from the ends of both tubes;
- Clean the metal cutting debris, etc. Lubricate the sliding surfaces of both tubes well;
- Reassemble the two parts of the cardan shaft.

Ensure that the two ends of the cardan shaft are aligned (**see figure below**). Misaligned ends cause noise and damage.



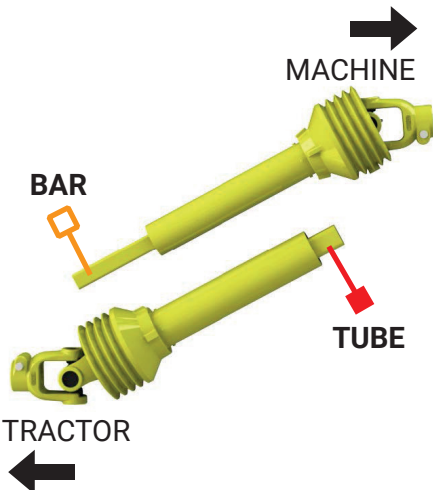
CARDAN SHAFT CONNECTION



WARNING

Turn off the tractor and remove the ignition key before starting the following procedure.

Attach the cardan shaft to the machine's shaft and to the tractor's power take-off (PTO) shaft. Note that the side with the solid bar (male) should be connected to the machine, and the tubular side (female) should be connected to the tractor's PTO.



WARNING

Secure the plastic protection of the cardan shaft with chains to some point on the tractor. Do not operate the cardan shaft without the properly installed plastic safety cover.



ATTENTION

If the machine is powered by an electric or diesel engine, consult a professional for installation. IMPORTANT! For low-speed electric motors, use a B Channel pulley with a 180 mm diameter; for high-speed motors, use a B Channel pulley with a 90 mm diameter. High Motor 3500 rpm and Low Motor 1750 rpm.

DISCONNECTION FROM THE TRACTOR

The machine is designed to remain stable while detached from the tractor on firm ground. Always park the machine on level ground. Before disconnecting, remove the cardan shaft.

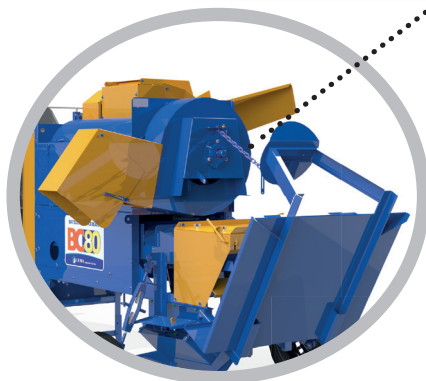
TRANSPORTING THE THRESHERS ATTACHED TO THE TRACTOR

When transporting models with a platform attached to the tractor, it is necessary to tilt the platform. After positioning the platform for transport (tilted), secure the chain to the hook, locking it in place. For other models of batchers, no adjustment is required.

Transport position on the tractor



Secure the platform with the chain



LEVELING

The **BC-80** line is equipped with wheels. The machine has a leveling device that allows you to adjust the machine's level for work on uneven terrain. To level correctly, loosen the lock nut (1) and turn the device (2) until the batcher is level with the ground. Then, retighten the lock nut (1).

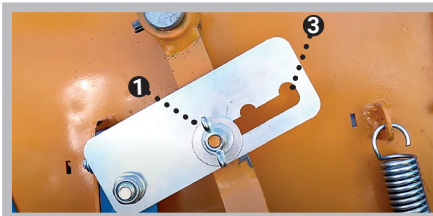


Proper leveling is crucial for achieving the best performance and productivity from the batcher. Before transporting the machine, ensure that the lock nut is tightly secured to avoid damage to the leveling device.

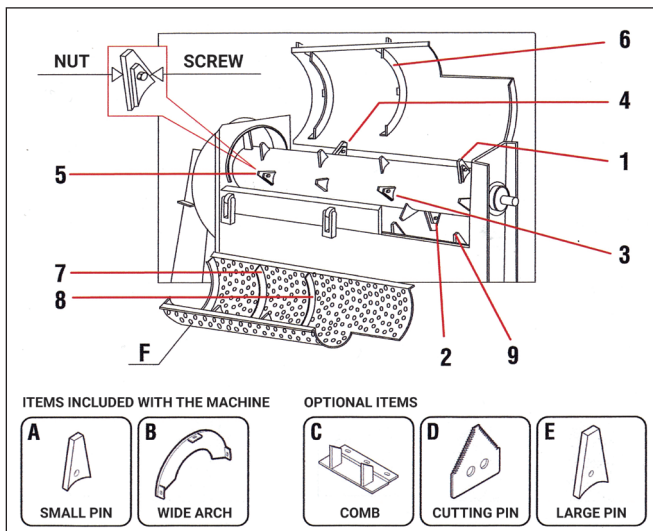
AUTOMATIC FEEDER ADJUSTMENTS

All models are equipped with an automatic feeder that maintains the appropriate feeding flow for the machine. You only need to adjust the feed opening according to the type and conditions of the product being processed. The adjustments include:

- **Position 1:** For processing rice, soybeans, and dry beans.
- **Medium Position:** An intermediate position that, depending on the volume of straw and the quality of the product, will provide the most suitable opening.
- **Position 3:** For processing corn, beans, and pole beans.



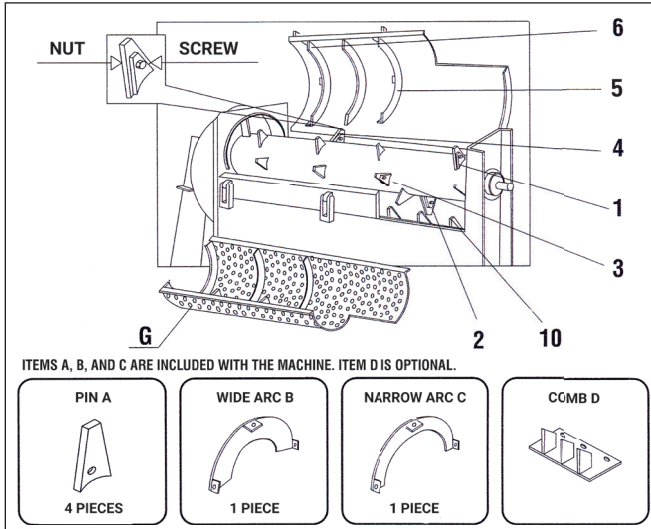
INSTRUCTIONS FOR THRESHING GRAINS BC-30



ALL NUMBERED POSITIONS INDICATE THE PLACEMENT OF PARTS INCLUDED WITH THE MACHINE AND OPTIONAL PARTS

PRODUCT	INSTRUCTIONS
HARVESTING RICE	Cut the stalks to a maximum of 40 centimeters in length. Place two pins 'A' in positions 4 and 5.
DRY BEANS	Place four pins 'A' in positions 1, 2, 4, and 5.
GREEN STALK BEANS	Place pins 'D' in positions 1 and 2.
LIMA BEANS	Place comb 'C' in position 9 and place two pins 'D' in positions 1 and 2.
STRING BEANS	Replace sieve 'F' with 16 mm holes with the sieve with 14 mm holes (optional). Place comb 'C' in position 9 and place four pins 'A' in positions 1, 2, 4, and 5. Place one arch 'B' in position 6.
DRY COMMON SOYBEANS	Place four pins 'A' in positions 1, 2, 3, and 5.
DRY ROBUST SOYBEANS	Place three pins 'E' in positions 1, 2, and 3 and place two pins 'A' in positions 4 and 5.
DRY CORN	Place three arches 'B' in positions 6, 7, and 8. Remove all pins mounted on the rotor.

INSTRUCTIONS FOR THRESHING GRAINS BC-80



ALL NUMBERED POSITIONS INDICATE THE PLACEMENT OF THE INCLUDED AND OPTIONAL PARTS

PRODUCT	INSTRUCTIONS
HARVESTING RICE	Cut the stalks to a maximum length of 40 centimeters.
DRY BEANS	Do not use pin or arc.
BEANS WITH GREEN STALKS	Place pins 'A' in positions 1, 2, 3, and 4 and secure the wide arc 'B' in position 5.
VINE BEANS	Place comb 'D' in position 10.
STRING BEANS	Replace sieve 'G' with 18 mm holes with a sieve with 14 mm holes (optional). Place comb 'D' in position 10 and place pins 'A' in positions 1, 2, 4, and 3. Place wide arcs 'B' in positions 5 and 6.
DRY COMMON SOYBEANS	Do not use pin or arc.
DRY ROBUST SOYBEANS	Place pins in positions 1, 2, 3, and 4.
DRY CORN	Do not use pin. Place narrow arc 'C' in position 6.



Depending on the quality and size of the products, there are sieves that can be purchased separately. In this case, simply contact the parts dealer or the factory directly.

OPERATION



CAUTION

This type of implement has been developed exclusively for the operations of threshing, winnowing, and bagging cereals. The manufacturer is not responsible for any damage suffered or caused by deviations from the intended use or failure to follow the instructions contained in this manual.

For operating this machine, as well as for all maintenance or repair tasks, it is essential to follow the instructions provided in this manual. Special attention should be given to safety recommendations and warnings, and all relevant hygiene and safety regulations applicable locally must be observed.

Before starting a new work session, with the machine turned off, perform a general visual inspection to check for loose screws, worn parts, cracks, leaks, and

deteriorated hoses. If any issues are observed, make the necessary repairs before starting work with the machine.

Ensure that all safety guards and covers are in place and that they do not show any signs of deterioration that could compromise their functionality.

The operation should always begin with the machine completely empty. Turn on the tractor's power take-off and wait a few moments until the rotor reaches working speed before starting the feed. The machine should also be stopped only when it is completely empty.



ATTENTION

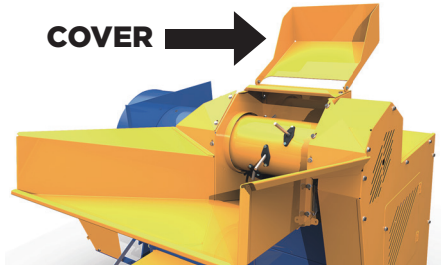
For some models, to thresh rice, it is necessary to cut the stalks to a maximum length of 40 centimeters; replace the oval hole (flat) sieve with a scalper sieve; and follow the other instructions in this manual.

ADJUSTING THE FEEDER COVER

Depending on the type of product being processed, the upper cover of the automatic feeder should be either open or closed:

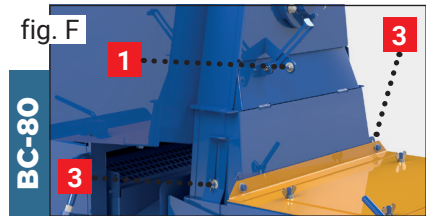
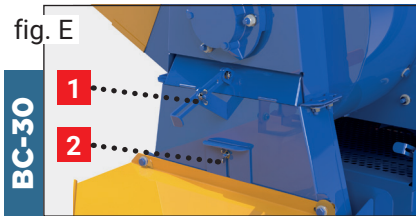
For threshing corn: **CLOSED**

For threshing rice, beans, and soybeans: **OPEN**



PRODUCT CLEANING (SUCTION)

Cleaning is performed by a suction system that separates the chaff and impurities from the product. The ideal adjustment varies according to the product's conditions, such as moisture level, relative humidity, amount of chaff, etc.



DEBRIS SUCTION ADJUSTMENT - BC-30 AND BC-80

With the machine running, loosen the wing nut of the suction regulator (1) and gradually open the air intake so that only chaff and impurities are coming out of the chaff outlet, with no grain loss. Then, tighten the wing nut of the suction regulator (1).

DEBRIS SUCTION ADJUSTMENT - BC-30 (fig. E)

With the machine running, loosen the wing nut of the suction regulator (2) and adjust it according to the volume of impurities present with the product. Then, tighten the wing nut of the suction regulator (2).

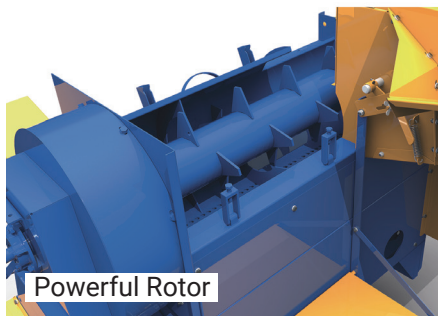
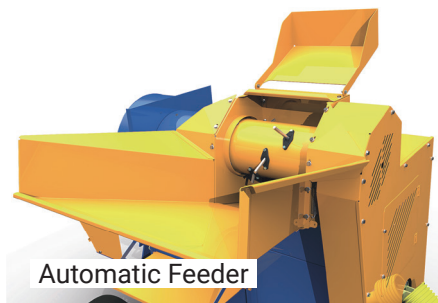
DEBRIS SUCTION ADJUSTMENT - BC-80 (fig. F)

With the machine running, loosen the wing nuts of the suction regulator (3) located on both sides of the suction box, adjust, and fix the regulator to the same height according to the volume of impurities present with the product. If impurities are coming out with the grains, increase the suction by gradually closing the regulator (1) until the cleaning is adequate.

FEEDER AND ROTOR

All versions of **LUMA Cereal Threshers** are equipped with:

- Dual Bagging System for greater agility and ease of operation;
- High-Capacity air suction system with a powerful fan for cereal cleaning and complete chaff removal;
- Automatic feeder with a roller equipped with retractable pins that provide uniform and constant feeding.

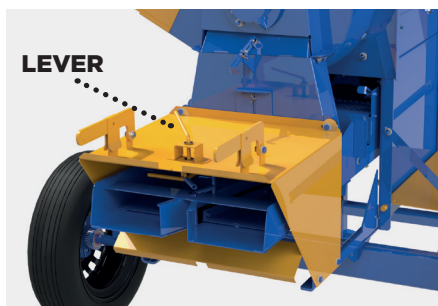


CAUTION

Do not allow the reservoir to overflow. The product may return to the elevator.

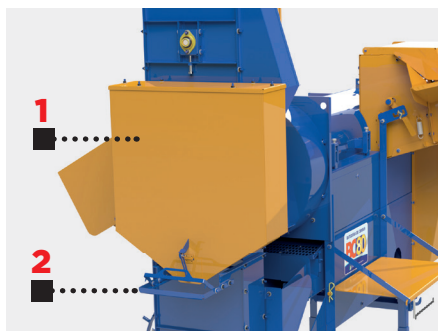
BAGGING

The **LUMA Cereal Thresher** is equipped with a continuous bagging system. In all models, the bagger has dual outlets. Two bags should be placed, and when one is full, operate the lever to direct the discharge to the empty bag.



RESERVOIR

In models with an elevator, the bagger has its own reservoir. The gate should only be opened with the bag in place. When full, close the gate and then place another bag.



- 1 - RESERVOIR
- 2 - BAG HOLDER

TECHNICAL SPECIFICATIONS

		Driven By	Power Required	Production (bag 60 kg)				Dimensions (mm)		
				Bean	Corn	Rice	Soybean	Length	Width	Height
BC-30	ENGINE	ELECTRIC ENGINE	10 to 12 cv	16 to 22	25 to 45	15 to 20	15 to 20	2550	2280	1580
		GASOLINE/DIESEL	15 cv	16 to 22	25 to 45	15 to 20	15 to 20	2550	2280	1580
	UNIVERSAL	Tractor PTO 540 RPM	From in 35 cv	15 to 35	60 to 80	15 to 25	15 to 35	2520	2200	1800
	UNIVERSAL							2520	2200	1800
BC-80	PLATFORM STANDARD							3400	2350	1800
	PLATAFORMA ELEVATOR							3300	2350	2000
	ENGINE							ELECTRIC ENGINE	15 cv	3300
		GASOLINE/DIESEL	15 cv	3300	2350	2000				

*Variations may occur depending on the type of product, grain moisture, degree of impurity and machine adjustment.

**To beat rice, cut the branches to an approximate length of 40 cm.



COMMON ISSUES DURING OPERATION

Occasionally, problems may arise due to improper operations or adjustments, affecting the equipment's performance. Below are the most common issues, their probable causes, and suggested solutions.

ISSUE	PROBABLE CAUSE	SOLUTION
Unsatisfactory cleaning	• Low rotation	• Adjust the rotation with the machine in operation
	• Loose belts	• Tighten the belts
	• Lack of suction	• Adjust the suction
Breaking grains	• Excessive rotation	• Adjust the rotation with the machine in operation
	• Missing deflector arch	• Install the deflector arch
	• Processing corn with movable pins mounted	• Remove all movable pins
Low production	• Low rotation	• Adjust the rotation with the machine in operation
	• Irregular feeding	• Keep the feeder hopper full
	• Slipping belts	• Tighten the belts
	• Worn or damaged rotor pins	• Replace worn or damaged pins
Throwing grains with chaff	• Slipping belts	• Tighten the belts using the tensioner
	• Excessive suction	• Open the suction regulator until grain loss is eliminated
	• Incorrect rotation	• Adjust the rotation with the machine in operation
Machine blockage	• Excessively moist product	• Wait until the product is in suitable condition for processing

MAINTENANCE



CAUTION

Never attempt to repair the machine while it is running! Before starting any maintenance or cleaning service, ensure that the PTO shaft is disconnected from the tractor's power take-off. This procedure prevents the machine from being accidentally started.

The machine's design concept minimizes the need for maintenance and ensures optimal operation in various conditions. The condition of the parts directly affects the machine's performance. Always keep them in good order. When replacing bolts and nuts, use only items with the same specifications as the originals. If in doubt, consult the product's parts catalog or contact the manufacturer. Using non-original components may compromise the implement's functionality and endanger operators and others.

Daily, check all nuts and bolts on the implement. Vibrations and shocks may loosen them. Always be attentive to unusual noises and sounds from the implement. If you notice anything abnormal, stop the machine immediately.

Check if the gearbox has oil and if the level is correct. The correct oil level ensures the transmission's longevity and trouble-free operation. Incorrect oil levels can damage the transmission.

Lubrication is essential for good performance and longer durability of the implement's moving parts, contributing to high performance and reduced maintenance costs. Before starting any operation, carefully lubricate all grease fittings with high-quality lubricant. Before lubrication, clean the grease fittings and their surroundings.

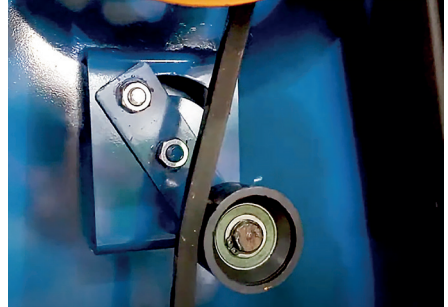
BELT TENSIONING

To begin this procedure, ensure that the tractor is completely turned off. To adjust the belt tension, first open the cover and check the tension.

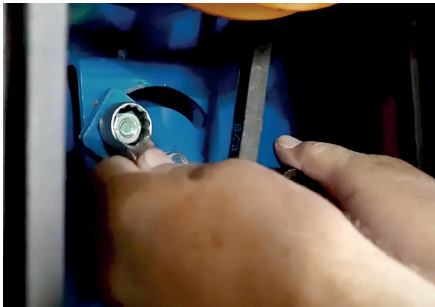
If adjustment is needed, loosen the two nuts and turn the bracket with the pulley against the belts, then retighten the nuts. There are two adjusters, one for each pair of belts, and the procedures for both are the same.



Open the cover



Check the tension



If adjustment is necessary, loosen the two nuts...



...and turn the bracket with the pulley against the belts, then retighten the nuts



CAUTION

To tighten the rotor belts, first loosen the four nuts, then loosen the tensioner nut and turn the screw clockwise until the desired tension is achieved. Afterward, it is necessary to re-tighten the four nuts and the tensioner screw nut.

CLEANING AND MAINTENANCE

Periodically clean the equipment, removing any residue. A thorough wash followed by a spray with fine oil or another protective agent ensures a longer lifespan for the implement. Store in a dry, covered location, protected from sunlight and rain.

When storing the thresher for an extended period, place it in an area inaccessible to children. Children's access to moving or sharp parts could cause serious accidents. To ensure greater durability, loosen the belts. Clean and lubricate the implement.

If necessary, apply a coat of paint to parts susceptible to rust. Only genuine **LUMA** parts guarantee the proper functioning of your implement, as they undergo strict quality control to ensure perfect compliance. Therefore, using non-original parts may also cause serious damage to your implement.



LUMA BC-30 LINE



BC 30 WITH SHAFT



BC-30 WITH MOTOR ACCESSORY



BC-30 WITH PLATFORM



BC-30 WITH PLATFORM AND LIFT



BC-30 UNIVERSAL



BC-30 WITH ANIMAL TRACTION

BC-30 WITH BASED ON
DIESEL OR GASOLINE



LUMA BC-80 LINE



BC-80 WITH DIESEL BASED



BC-80 WITH ELECTRIC
BASE AND LIFT



BC-80 WITH STANDARD PLATFORM



BC-30 WITH PLATFORM AND LIFT



BC-80 UNIVERSAL



LUMA
Implementos Agrícolas



CULTIVATING **good business**

THE QUALITY YOU ARE LOOKING FOR IN THE FIELD IS HERE!

WARRANTY CERTIFICATE

LUMA IMPLEMENTOS AGRÍCOLAS guarantees the equipment described herein against manufacturing defects duly proven by the factory under the following conditions:

1. The warranty is valid for the first 6 (six) months, starting from the date the machine is invoiced to the first user.
2. This warranty consists of **LUMA IMPLEMENTOS AGRÍCOLAS** commitment to repair or provide free of charge, at its facilities, the parts that, in its sole judgment, present manufacturing defects.
3. **LUMA IMPLEMENTOS AGRÍCOLAS** does not guarantee parts damaged by misuse or any wear resulting from normal use.
4. This warranty will be immediately and fully voided in the following cases: a) improper use of the equipment, use of unsuitable lubricants; b) modifications and adaptations, use of non-genuine parts or components.
5. Claims for any defects during the warranty period should be submitted to **LUMA IMPLEMENTOS AGRÍCOLAS** dealers, who will forward them to the factory along with the defective part, which will be replaced if the defect is acknowledged.
6. **LUMA IMPLEMENTOS AGRÍCOLAS** reserves the right to make modifications to the equipment whenever necessary, without incurring any obligations of any kind.

Model: _____

Serial Number: _____ Year: _____

Owner: _____

Location: _____

Date: ____/____/____



Luma Implementos Agrícolas



lumaimplementos



Luma Implementos Agrícolas



Luma Implementos



LUMA Implementos Agrícolas Ltda.

Rua 15 de Novembro, 791 - Bairro Santo Antonio / Itapira - SP

CEP: 13974-520 - Phone: (19) 3863 3395

vendas6@lumaimplementos.com.br

www.lumaimplementos.com.br

Luma reserves the right to modify or improve his products without prior announcement.