

# Cereal Thresher

## PRODUCT CATALOG



**LUMA**  
Implementos Agrícolas

# CEREAL THRESHER



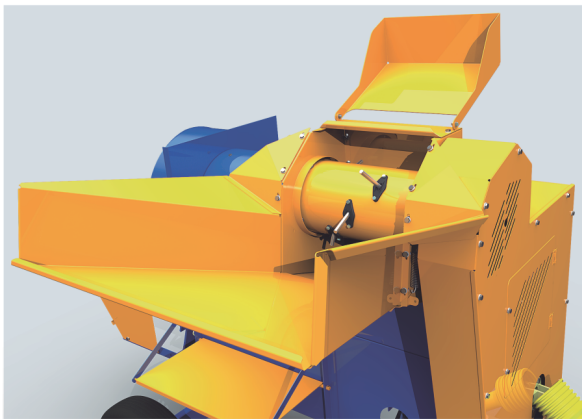
**BC-30**



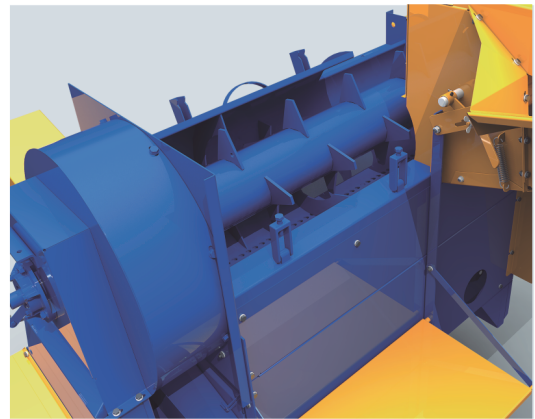
**BC-80**

The **LUMA Cereal Thresher** were developed to beat, shake and bag cereals, such as: dry corn with straw and cob, beans, soy, rice and the like. All versions are equipped with:

- Double bagger for greater agility and ease of operation;
- Air suction system with high-capacity fan for cleaning the cereal and total straw elimination;
- Automatic feeder with roller equipped with retractable pins that provide uniform and constant feeding.



Automatic feeder guarantees the uniform and continuous feeding.



Powerful rotor processes the Cereal Thresher damaging the grains.

## TECHNICAL CHARACTERISTICS

Models	Driven By	Power Required	Production (bag 60 Kg)				Dimension (mm)			
			Bean	Corn	Rice	Soybean	Length	Width	Height	
<b>BC-30</b>	MOTOR	ELECTRIC MOTOR	10 a 12 cv	16 a 22	25 a 45	15 a 20	15 a 20	2550	2280	1580
		GASOLINE/DIESEL	15 cv	16 a 22	25 a 45	15 a 20	15 a 20	2550	2280	1580
	UNIVERSAL							2520	2200	1800
<b>BC-80</b>	UNIVERSAL	Tractor PTO 540 RPM	From in 35 cv	15 a 35	60 a 80	15 a 25	15 a 35	2520	2200	1800
	PLATFORM STANDARD							3400	2350	1800
	PLATFORM ELEVATOR							3300	2350	2000
								2520	2200	1800
	MOTOR	ELECTRIC MOTOR	15 cv					2520	2200	1800
		GASOLINE/DIESEL	15 cv					2520	2200	1800

\*Variations may occur depending on the type of product, grain moisture, degree of impurity and machine adjustment.

\*\*To beat rice, cut the branches to an approximate length of 40 cm.



BC-30 AXLE



BC-30 ENGINE ACCESSORY



BC-30 PLATFORM



BC-30 PLATFORM ELEVATOR



BC-30 UNIVERSAL



BC-30 ANIMAL TRACTION



BC-30 BASED  
DIESEL OR GASOLINE



BC-80 BASED ON DIESEL



BC-80 ELECTRICALLY  
BASED AND ELEVATOR



BC-80 PLATFORM STANDARD



BC-80 PLATFORM  
ELEVATOR



BC-80 UNIVERSAL



**LUMA Implementos Agrícolas Ltda.**  
Rua 15 de Novembro, 791 - Bairro Santo Antonio - Itapira - SP  
CEP 13974-520 - Tel: 19 3863 3395  
vendas6@lumaimplementos.com.br  
www.lumaimplementos.com.br

*Luma reserves the right to modify or improve his products without prior announcement.*